

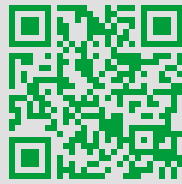


EDGING MACHINES
DOUBLE-EDGERS
BEVELLING MACHINES

GRINDING SOLUTIONS



ADELIO LATTUADA®
EVOLUTION OF GLASS WORKING
Since 1970



www.adeliolattuada.com

STRAIGHT-LINE **EDGING MACHINES**



AL M SERIES

Recommended even for large-scale production of medium thickness sheets

16



TL SERIES

Recommended for large scale production of tempered glass and/or high-quality furnishing glass

22



TLR SERIES

The most widely used by major manufacturers of stratified material for heavy duty construction

28



TLS SERIES

Recommended for glassmakers with considerable production of large sheets and high thicknesses

36

DOUBLE-EDGERS



BETA SERIES

Available in multiple different configurations, both in stand-alone and in line machine versions

46

STRAIGHT-LINE **BEVELLING MACHINES**



GAMMA SERIES

The widest range currently available in the market, it offers technical solutions capable of meeting any production need

56

WHY OPT FOR LATTUADA

GAME CHANGING VALUES

more passion

Passion, technology, service: 40 years of made in Italy.

Flexible solutions and high-quality.

Each customer can always count on our best resources, and each project stimulates our R&D to find fully customised solutions designed on individual production needs.

more ambition

90% of production exported

more than 3000 machines sold since 1978

We always strive to be a step ahead so as to offer our customers solutions capable of tangibly boosting the efficiency and quality of the production process.

more automation

We are in a position to offer flexible and customised **new integration solutions**, with the following advantages: increasing the level of automation, flexibility, productivity, optimising production and cutting costs.

more service

Proper maintenance helps keeping machines in optimal and efficient operating conditions all the time, their performance at maximum level ... and customers satisfied.

Manufacturing **machines requiring the least and easiest maintenance** has always been one of our strong points.

more quality

We have set up an internal and external supply chain that ensures the highest standards of reliability.

We directly take care of the design, selection of suppliers and components; we monitor each processing step, regarding both electrical and mechanical; we study the programming and automation of the software.

more internationality

2017 marked the incorporation of LATTUADA NORTH AMERICA, INC., in Northwood (OH). The aim of this company is reinforcing our presence in the United States and providing any kind of pre and post sales service.

more organisation

We address each project methodically, following a structured workflow which ensures maximum quality and reliability. A streamlined and coordinated development where all steps are monitored to ensure the required results are achieved and on time.

more technology

Industry 4.0 is the keyword

Thanks to a platform accessible by any device, Lattuada machines are getting smarter and more communicative by the day. This allows the manufacturer and the user to be connected all the time.

more customer satisfaction

At Lattuada, customer satisfaction is our topmost objective.

The key factor lies in interpreting needs, striving towards winning solutions. Flexibility, production capacity and skills combine with an ever-guaranteed support aimed at providing supreme quality products and instant response times.

AS BIG AS THE WORLD



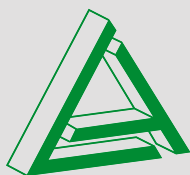
LNA

Northwood (OH)
A precise corporate
choice to stay
close to our customers



HEADQUARTER

LNA provides all pre- and after-sale services directly from the United States, including a qualified and highly professional technical support service with longstanding experience in the glass-working machine industry.



LATTUADA
NORTH AMERICA

This new company allows us to offer endless benefits to all our US customers:

- no more problems related to transportation issues;
- machinery are invoiced directly from the United States, eliminating the currency problem;
- specific services for the US market;
- technical support always available with no more time zone issues;
- spare parts are supplied directly from LATTUADA NORTH AMERICA.

Our solutions are working all over the world.

Since 2017 we operate in the USA through LATTUADA NORTH AMERICA based in Northwood (Ohio).

A precise corporate choice to stay close to our customers by offering top quality services and products specifically designed for a demanding and competitive market that requires compliance to specific standards.



90+

countries where we are present

We are an international company: today our machines are working in 90 countries.

40

agents worldwide

Find our agents worldwide.



MADE IN LATTUADA
INTEGRATED SOLUTIONS,
TO MEET ALL YOUR NEEDS

THE WORLD OF LATTUADA

INDUSTRY 4.0 SOLUTIONS

7

Are you ready for the fourth industrial revolution? We can support you in the streamlining of production processes by offering high-tech solutions to digitise, connect, monitor, manage and optimise data in real time.



6

STONE WORKING SOLUTIONS

We know the specificities of stone processing. This is why we can design with you the perfect machine to process marble, stone and synthetic and composite materials.



5

COMPLEMENTARY GLASS PROCESSING SOLUTIONS

Do you need to drill or process corners? We can provide a complete range of horizontal drilling machines and automatic radius and straight corners grinding machines.

- > **corners grinding machines**
- > **horizontal drilling machines**



4

SPECIAL MACHINES SOLUTIONS

Do you have any special needs? Out-of-standard processes? Do you treat composite materials? That's not a problem. We can find the most suitable solution for you and customise our machines to ensure you get the flexibility you need.



inte

GRINDING SOLUTIONS

Our strength, always. A variety of solutions taking the shape of a wide range of machines: more than 40 models that can be specifically configured to ensure maximum productivity.

1



- > edging machines
- > double-edgers
- > bevelling machines

grAL



WASHING SOLUTIONS

For more than 15 years we have been studying and providing solutions for glass washing. We offer a full range of high-tech, vertical washing machines that are easy to use and maintain.

2



AUTOMATION AND ROBOTICS SOLUTIONS (CYBERAL)

We are constantly formulating solutions to operate at the highest levels of automation, making the most of integration with robotics to increase productivity and reduce costs.

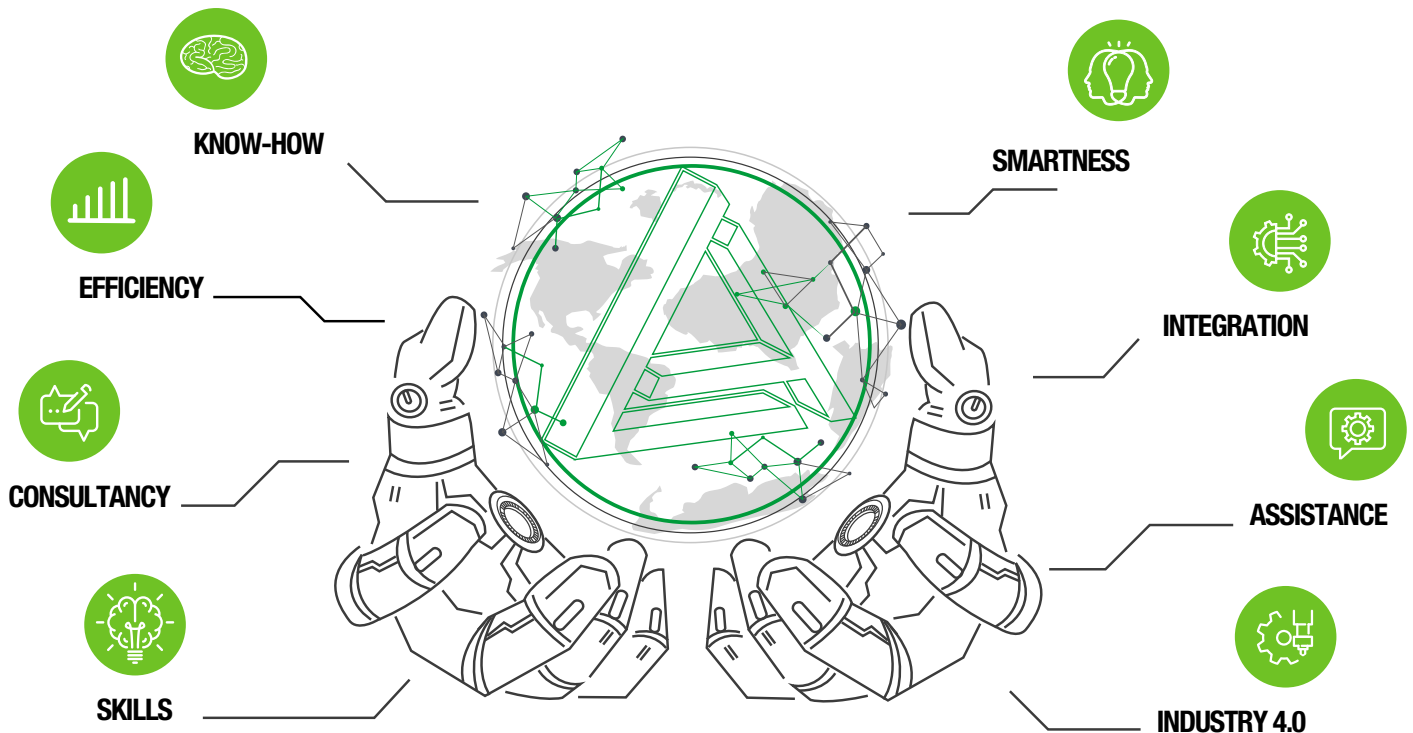
3

cyberAL

A CHOICE THAT GIVES YOU MORE

CYBERAL, AUTOMATION AND INTERCONNECTION FOR A TRULY INTEGRATED INDUSTRIAL PRODUCTION

Robots, automation, integration, Industry 4.0: glass processing steps into a new era. Those who opt for advanced solutions and technology can count on an effective competitive edge. Right from today, Adelio Lattuada will be by your side to help you achieve this new production and flexibility goal through CYBERAL.



KNOW-HOW

We are your partner in automation.

For more than 5 years we have dedicated internal resources and major investments in designing and building solutions that integrate robots and automation to support our glass processing machines.



ASSISTANCE

Training e assistenza, dovunque siate.

Our teams are ready to give you appropriate training and technical support you may need, through our hotlines. Whether regarding the machine or the applications, you have a far-reaching network of agents and dealers at your disposal in every corner of the globe.



CONSULTANCY

Beyond the offer, consultancy.

A single global consultant partner for your current and future needs. Thanks to a powerful simulation software, we can key in standard production data and values of your workday and compare them with those obtained from a presumed use of robots.



SKILLS

One application, one solution.

Thanks to world-class collaborations and supplies, our solutions gain in effectiveness and efficiency year by year.



SMARTNESS

Customised and smart machines.

We are committed towards making machines more automated and smarter by installing state of the art devices and sensors.



INTEGRATION

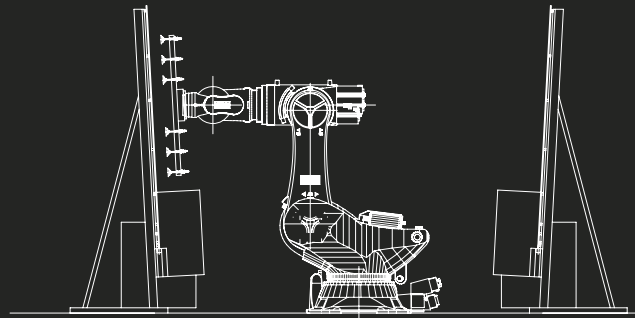
More targeted than ever before.

The more machines are integrated with each other through specially studied software, the greater their efficiency and productivity. We are working on getting rid of repetitive manual and combining control operations.

**A PERFECT SYNERGY
WITH TECHNOLOGY**

ROBOTS

NEW INTEGRATED, FLEXIBLE AND CUSTOMISED SOLUTIONS WITH THE FOLLOWING ADVANTAGES



➤ CYCLE TIME

The robot is ready for the next glass in just 10 seconds.

➤ INTEGRATION

Full integration with the machines of the line (edging and washing machines).

➤ SIMPLICITY

Simple and one-point programming of thickness, speed, robot program (90/180°).

➤ SPECIAL APPLICATIONS

Special applications for very small/large glasses.

**SOLUTIONS FOR AUTOMATING
ACTIVITIES AND INCREASING
PRODUCTION FLEXIBILITY**

AUTO MATION

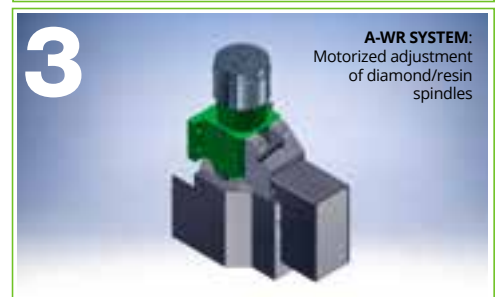
Robots and integrations require machines with greater automation and so we added some features to the list of optionals, including:

- motorized recovery of the wear of diamond wheels
- automatic recovery of the wear of polishing wheels
- automatic adjustment of pressure and speed depending on the set/detected glass thickness
- managing work steps through the touch-screen panel
- remote assistance and support
- data-logging and IOT

Touch-screen operator panel



Digital ammeters and polishing wheels automatic wear detection system



A-WR SYSTEM:
Motorized adjustment of diamond/resin spindles

**SOLUTIONS FOR TRANSFORMING
PRODUCTION AND BECOMING A SMART FACTORY**

INDUSTRY 4.0

An approach that deeply changes the production process by implementing enabling technologies: a leap you can already take into the future through Adelio Lattuada products.

As a matter of fact, thanks to the **PLM IOT i-Like Machines** software, besides connecting machines to each other so as to monitor them constantly, we also provide clear data through an interface that is intuitive and easy to use.

THIS WILL ALLOW YOU TO:

- monitor production cycle in real time
- receive alerts in case of malfunctions
- optimise plant availability and production
- plan maintenance works
- reduce failures and downtime
- view machine use data and report records

THE WIDEST LINE AVAILABLE IN THE MARKET

GRINDING SOLUTIONS

- > STRAIGHT-LINE EDGING MACHINES
- > DOUBLE-EDGERS
- > STRAIGHT-LINE BEVELLING MACHINES



performing

**high loading capacity,
jumbo thicknesses**

Our machines can carry sheets weighing up to 1,500 Kg and machine thicknesses measuring up to 100 mm.



productive

smart technology

Automation is an ever-important factor: combining the need for providing high-quality products, without jeopardising flexibility while increasing productivity and cutting costs all at once.



reliable

low maintenance required

We commit towards achieving excellence by making precise choices: saying no to makeshift solutions. We have set up an internal and external supply chain that ensures the highest standards of reliability.



As our core business since our foundation, the Lattuada's offering includes more than 40 models of **straight-line edging machines**, **double-edgers** - which come in several different configurations - **and straight-line bevelling machines** suitable to meet any production need.



flexible

customised configurations

Our machines are custom-made, to give you more. Consisting of an excellent base structure, they can be configured to meet your needs.



smart

simplicity of use

Easily accessible sophisticated technology: this is our approach when it comes to building machines.



excellent

top performance

Thanks to our know-how developed and perfected in 40 years of research and activity in grinding, we - at Lattuada - design and manufacture machines that guarantee maximum processing end quality.

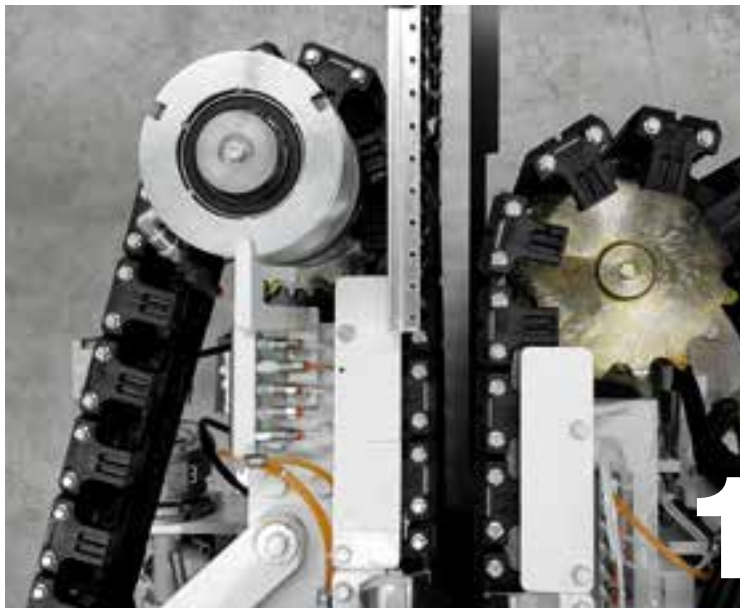


STRAIGHT-LINE EDGING MACHINES

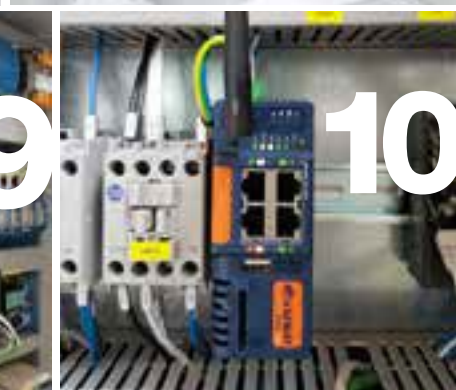
TECHNICAL DETAILS

Our strength, ever.

A variety of solutions that take the form of a wide range of machines: **more than 40 models that can be specifically configured to ensure maximum productivity.**



- 1 - 2 **Conveyor** with support pads.
- 3 - 4 Automatic **lubrication system**.
- 5 - 6 **Lattuada spindles**: a unique solution for the motion transmission.
- 7-8 **Copper pipes for cooling the wheels** and the internal of the spindle tank.
- 9 - 10 **Electrical system** with supreme quality components, compliant with the **UL/CSA standards** too. **IE3 high efficiency motors**.
- 11 **Digital ammeters** with an automatic polishing wheels wear detection system.



ALM SERIES

RECOMMENDED EVEN FOR LARGE-SCALE PRODUCTION OF MEDIUM THICKNESS SHEETS

Having been conceived and manufactured using some of the technological solutions adopted for the larger series of edging machines, such as the assembly of the same spindles, AL M edging machines can handle high production levels.

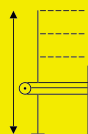
These details contribute towards increasing their useful life, while simultaneously reducing the required maintenance.



3 - 20/25 mm
1/8 - 3/4 / 1 "



2000 - 2600 mm
78.7 - 102.4 "



2400 - 3000 mm
94.5 - 118.1 "



400 Kg - 150 Kg/m
881 lbs - 8.4 lbs/ "



700 Kg
1,543 lbs

STRAIGHT-LINE EDGING MACHINES AL M SERIES

ALL YOU NEED TO KNOW

How flexible and modular are they?

- Possibility to mount a resin wheel spindle
- Possibility to integrate the OT 300 washing machine model

Which are the processing control tools?

- Electric board integrated in the control panel
- Motor current absorption ammeter
- Removal adjustment on the inlet conveyor
- Machine's data and maintenance panel

Which components of the machine allow achieving high performance?

- Conveyor without bearing, consisting of pads of a special material, fixed on precision chains
- Mechanical system for adjusting the opening of the conveyor
- Variation of the conveyor speed by means of the inverter
- Automatic lubrication of all rotating parts

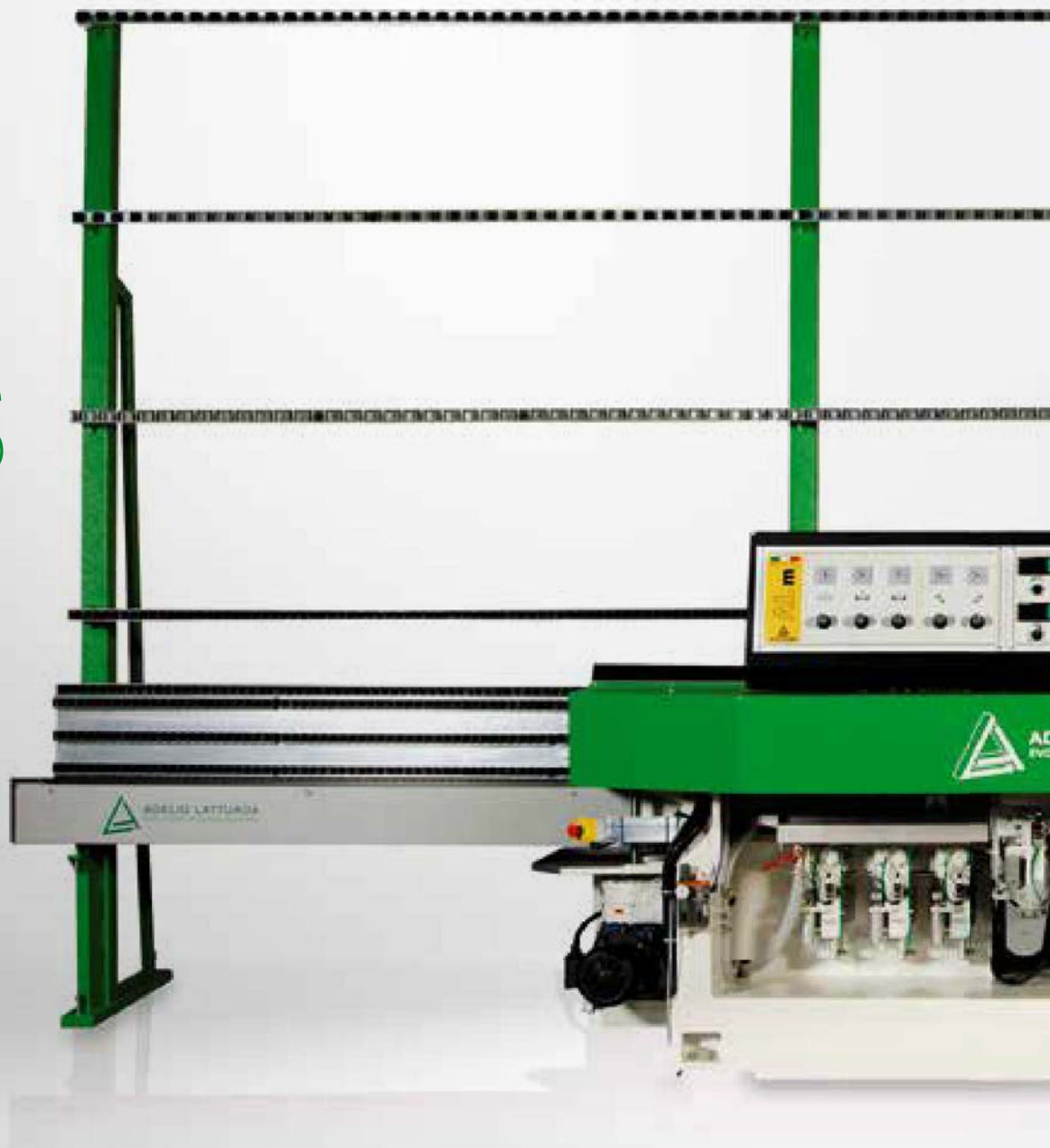
How can I achieve higher quality?

- Liquid cerium oxide for greater processing quality
- Lattuada spindles: a unique solution that guarantees low vibrations, robustness and limits maintenance for supreme quality

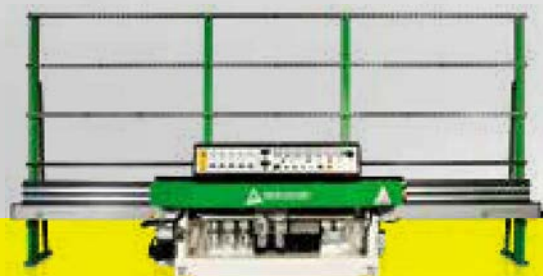


AL M SERIES

THE FLEET



AL M SERIES
6|8|9|10



Electronic straight-line edging machines
for processing the **flat edge with arris**

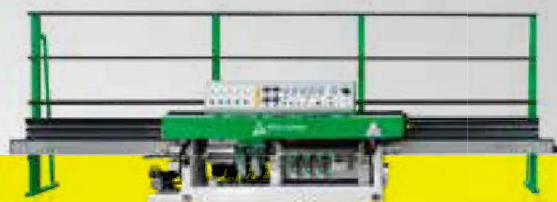
AL T SERIES
4|6|6 TF



Peripheral straight-line
edging machines for processing
the **pencil edge, OG**
or **flat edge with arris**



AL M AV SERIES 7

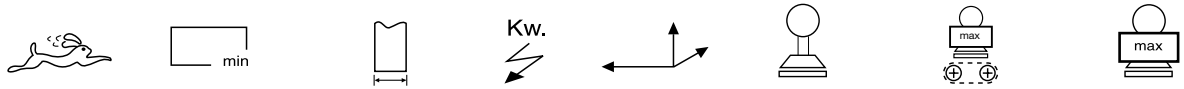


Electronic straight-line edging machine
with **variable angle between 0 and 45°**

AL M SERIES

6 | 8 | 9 | 10

Electronic straight-line edging machines for processing the **flat edge with arris**



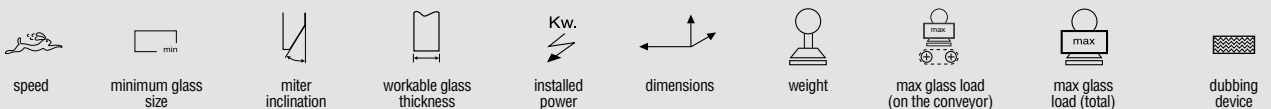
AL 6 M	eu	0,5 - 4 m/min	H50 mm opt. H35 mm	3 - 20 mm	12,5	5.755x1.200 xH2.400 mm	2.000 Kg	400 Kg - 150 Kg/m	700 Kg
	us	20 - 157 "/min	H2 " opt. H1.4 "	1/8 - 3/4 "		226.5x47.2 xH94.5 "	4,409 lbs	881 lbs - 8.4 lbs/"	1,543 lbs

AL 8 M	eu	0,5 - 4 m/min	H50 mm opt. H35 mm	3 - 25 mm	15	6.100x1.200 xH3.000 mm	2.200 Kg	400 Kg - 150 Kg/m	700 Kg
	us	20 - 157 "/min	H2 " opt. H1.4 "	1/8 - 1 "		240.2x47.2 xH118.1 "	4,850 lbs	881 lbs - 8.4 lbs/"	1,543 lbs

AL 9 M	eu	0,5 - 4 m/min	H50 mm opt. H35 mm	3 - 25 mm	17	7.750x1.200 xH3.000 mm	2.400 Kg	400 Kg - 150 Kg/m	700 Kg
	us	20 - 157 "/min	H2 " opt. H1.4 "	1/8 - 1 "		305.1x47.2 xH118.1 "	5,291 lbs	881 lbs - 8.4 lbs/"	1,543 lbs
Available also with cerium oxide equipment									

AL 10 M	eu	0,5 - 4 m/min	H50 mm opt. H35 mm	3 - 25 mm	18,5	7.750x1.200 xH3.000 mm	2.400 Kg	400 Kg - 150 Kg/m	700 Kg
	us	20 - 157 "/min	H2 " opt. H1.4 "	1/8 - 1 "		305.1x47.2 xH118.1 "	5,291 lbs	881 lbs - 8.4 lbs/"	1,543 lbs

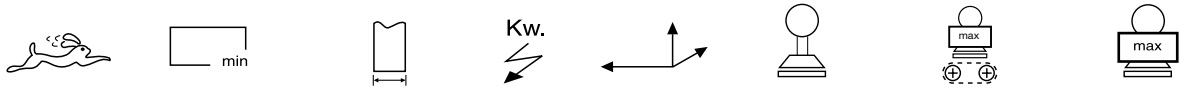
LEGEND



AL T SERIES

4|6|6 TF

Peripheral straight-line edging machines for processing the **pencil edge, OG or flat edge with arris**



AL 4 T	eu	0,5 - 4 m/min	H50 mm opt. H35 mm	3 - 20 mm	10	6.100x1.200 xH2.400 mm	2.200 Kg	400 Kg - 150 Kg/m	700 Kg
	us	20 - 157 "/min	H2 " opt. H1.4 "	1/8 - 3/4 "		240.2x47.2 xH94.5 "	4,850 lbs	811 lbs - 8.4 lbs/"	1,543 lbs
									4 3 2 1

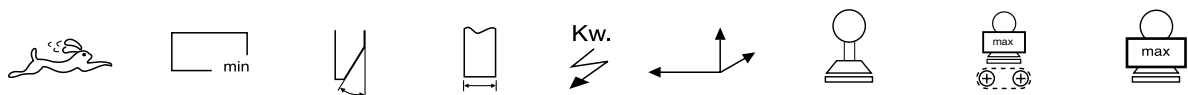
AL 6 T	eu	0,5 - 4 m/min	H50 mm opt. H35 mm	3 - 20 mm	12,5	6.440x1.200 xH2.400 mm	2.200 Kg	400 Kg - 150 Kg/m	700 Kg
	us	20 - 157 "/min	H2 " opt. H1.4 "	1/8 - 3/4 "		253.5x47.2 xH94.5 "	4,850 lbs	811 lbs - 8.4 lbs/"	1,543 lbs
Available also with cerium oxide equipment									
									6 5 4 3 2 1

AL 6 TF	eu	0,5 - 4 m/min	H50 mm opt. H35 mm	3 - 20 mm	12,5	6.440x1.200 xH2.400 mm	2.200 Kg	400 Kg - 150 Kg/m	700 Kg
	us	20 - 157 "/min	H2 " opt. H1.4 "	1/8 - 3/4 "		253.5x47.2 xH94.5 "	4,850 lbs	811 lbs - 8.4 lbs/"	1,543 lbs
									6 5 4 3 2 1

AL M AV SERIES

7

Electronic straight-line edging machine with **variable angle between 0 and 45°**



AL 7 M AV	eu	0,5 - 4 m/min	H85 mm opt. H60 mm	0 - 45° opt. 0 - 60°	3 - 25 mm	16	7.750x1.200 xH3.000 mm	2.400 Kg	400 Kg - 150 Kg/m	700 Kg
	us	20 - 157 "/min	H3.3 " opt. H2.4 "	1/8 - 1 "	305.1x47.2 xH118.1 "		5,291 lbs	811 lbs - 8.4 lbs/"	1,543 lbs	
									7 6 5 4 3 2 1	



TL SERIES

RECOMMENDED FOR LARGE SCALE PRODUCTION OF TEMPERED GLASS AND/OR HIGH-QUALITY FURNISHING GLASS

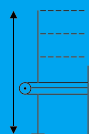
Thanks to the reinforced guides and higher pads, TL edging machines can bear greater weight as compared to the previous series. This makes them particularly flexible, given that they can process from glass sheets featuring major thicknesses to small glass strips, up to a minimum of 35 mm in height.



3 - 30 mm
1/8 - 1/2 "



2600 mm
102.4 "



3100 mm
122 "



800 Kg - 200 Kg/m
1,763 lbs - 11.2 lbs/ "



1.600 Kg
3,527 lbs

STRAIGHT-LINE EDGING MACHINES TL SERIES

ALL YOU NEED TO KNOW

How flexible and modular are they?

- Possibility to integrate the OT 300 washing machine model
- Front adjustment of the rear arris
- Dubbing device

Which are the processing control tools?

- Motor current absorption ammeter
- Removal adjustment on the inlet conveyor
- Machine's data and maintenance panel, greater and with more functions

Which components of the machine allow achieving high performance?

- Conveyor without bearing, consisting of pads made of special material, fixed on a double precision chain
- Mechanical system for adjusting the opening of the conveyor
- Variation of the conveyor speed by means of the inverter
- Automatic lubrication of all rotating parts
- Inlet and outlet conveyor pneumatic clutch
- Longer pads for greater stability of the glass
- Oil system with end of line pressure switch

How can I achieve higher quality?

- Liquid cerium oxide for greater processing quality
- Lattuada spindles: a unique solution that guarantees low vibrations, robustness and limits maintenance for supreme quality
- Possibility to mount a resin wheel spindle



TL

SE RIES

THE FLEET



TL SERIES 10|10 C|11



Electronic straight-line edging machines
for processing the **flat edge with arris**



TL AV SERIES 9

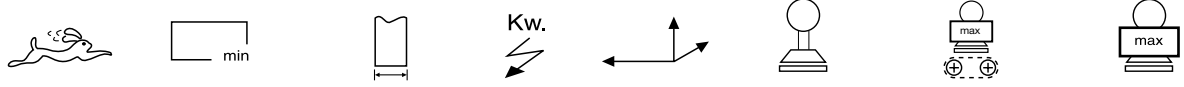




Electronic straight-line edging machine
with **variable angle between 0 and 45°**



TL SERIES



10|10 C|11

Electronic straight-line edging machines for processing the **flat edge with arris**



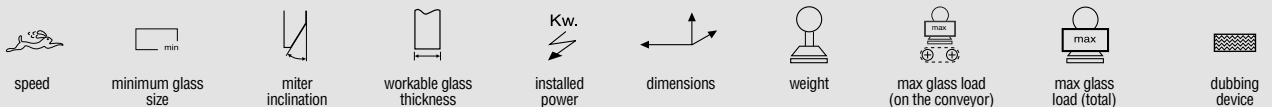
TL 10	eu	0,3 - 5 m/min	H60 mm opt. H35 mm	3 - 30 mm opt. 3 - 35 mm	20	7.970x1.350 xH3.100 mm	3.100 Kg	800 Kg - 200 Kg/m	1.600 Kg	
	us	12 - 197 "/min	H2.4 " opt. 1.4 "	1/8 - 1.2 " opt. 1/8 - 1.4 "		313.7x53.1 xH122 "	6,834 lbs	2,205 lbs - 14 lbs/"	3,527 lbs	
		3* OPTIONAL 								

TL 10C	eu	0,3 - 5 m/min	H60 mm opt. H35 mm	3 - 30 mm opt. 3 - 35 mm	21	7.970x1.350 xH3.100 mm	3.100 Kg	800 Kg - 200 Kg/m	1.600 Kg	
	us	12 - 197 "/min	H2.4 " opt. 1.4 "	1/8 - 1.2 " opt. 1/8 - 1.4 "		313.7x53.1 xH122 "	6,834 lbs	2,205 lbs - 14 lbs/"	3,527 lbs	
		3* OPTIONAL 								

TL 11	eu	0,3 - 5 m/min	H60 mm opt. H35 mm	3 - 30 mm opt. 3 - 35 mm	22	7.970x1.350 xH3.100 mm	3.100 Kg	800 Kg - 200 Kg/m	1.600 Kg	
	us	12 - 197 "/min	H2.4 " opt. 1.4 "	1/8 - 1.2 " opt. 1/8 - 1.4 "		313.7x53.1 xH122 "	6,834 lbs	2,205 lbs - 14 lbs/"	3,527 lbs	
		3* OPTIONAL 								



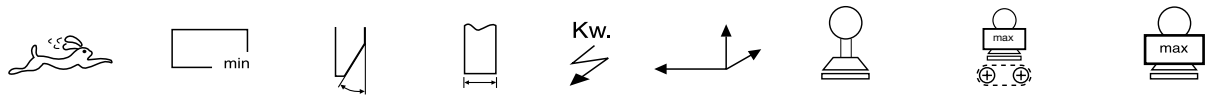
LEGEND



TL AV SERIES

9 AV

Electronic straight-line edging machine with **variable angle between 0 and 45°**



TL 9 AV	eu	0,3 - 5 m/min	H85 mm opt. H60 mm	0 - 45° opt. 0 - 60°	3 - 30 mm opt. 3 - 35 mm	21	7.970x1.350 xH3.100 mm	3.800 Kg	800 Kg - 200 Kg/m	1.600 Kg						
	us	12 - 197 "/min	H3.3 " opt. H2.4 "		1/8 - 1.2 " opt. 1/8 - 1.4 "			313.7x53.1 xH122 "	8,377 lbs	2,205 lbs - 14 lbs/"	3,527 lbs					
							9	8	7	6	5	4	3	2	1	



- diamond peripheral wheel
- peripheral polishing wheel
- peripheral felt wheel
- diamond cup wheel
- resin cup wheel
- polishing cup wheel
- cerium impregnated cup wheel
- felt cup wheel
- polishing aris wheel
- diamond aris wheel
- diamond aris wheel

TILB SERIES

**THE MOST WIDELY USED BY
MAJOR GROUPS OF NORTHERN
EUROPE AND USA**

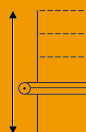
Designed for glassmakers handling major volumes of large sheets and high thicknesses for heavy duty construction, or for supreme quality works at high speed.



3 - 35 / 50 / 55 mm
1/8 - 1.4 / 2 / 2.2 "



2.600 mm / 3.000 mm
102.3 / 118.1 2 "



3.100 mm / 3.700 mm
122 / 145.6 "



1.000 Kg - 250 Kg/m
2,205 lbs - 14 lbs/ "



2.000 Kg
4,409 lbs

STRAIGHT-LINE EDGING MACHINES TLR SERIES

ALL YOU NEED TO KNOW

How flexible and modular are they?

- Possibility to mount a resin wheel spindle
- Possibility to integrate the OT 300 washing machine model
- Brushes for washing the conveyor

Which are the processing control tools?

- Digital ammeters with an automatic system for detecting the wear of polishing wheels
- Removal adjustment on the inlet conveyor
- Machine's data and maintenance panel, greater and with more functions
- Glass detection IP67 ultrasonic sensor
- Inlet and outlet conveyor pneumatic clutch

Which components of the machine allow achieving high performance?

- Conveyor without bearing, consisting of pads made of special material, fixed on a double precision chain
- Mechanical system for adjusting the opening of the conveyor
- Variation of the conveyor speed by means of the inverter
- Automatic lubrication of all rotating parts
- Oil system with end of line pressure switch
- PAR-AL: device for processing parallelograms

How can I achieve higher quality?

- Liquid cerium oxide for greater processing quality
- Lattuada spindles: a unique solution that guarantees low vibrations, robustness and limits maintenance for supreme quality
- Up to 9 wheels in the mitering section for processing big miters



TLR

SERIES

THE FLEET



TLR SERIES

**8 TF | 9 DD | 10 C | 10 C DD | 11 | 11C
11DD | 12 | 13 | 13 C | 14 C**



Electronic straight-line edging machines
for processing the **flat edge with arris**



TLR AV SERIES
10|11|11C|11C DD|13C|14C|16C

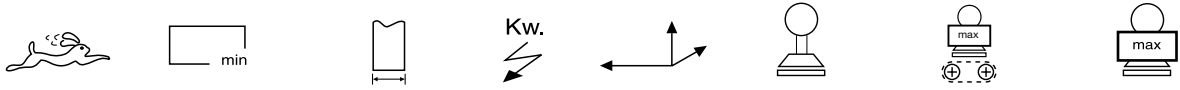


Electronic straight-line edging machine
with **variable angle between 0 and 45°**

TLR SERIES

9 DD | 10 C | 10 C DD | 11 | 11 C

Electronic straight-line edging machines for processing the **flat edge with arris**



TLR 9 DD	eu	0,3 - 5 m/min*	H60 mm	3 - 35 mm** opt. 3-50 mm	20	8.210x1.350 xH3.100 mm	3.600 Kg	1.000 Kg - 250 Kg/m	2.000 Kg	
	us	12 - 197 "/min*	H2.4 "	1/8 - 1.4 "*** opt. 1/8 - 2 "		323.2x53.1 xH122 "	7,936 lbs	2,205 lbs - 14 lbs/"	4,409 lbs	
* max 2 m/min (max 79 "/min) (with dubbing device) ** max 15 mm (max 0.6 ") (with dubbing device)										

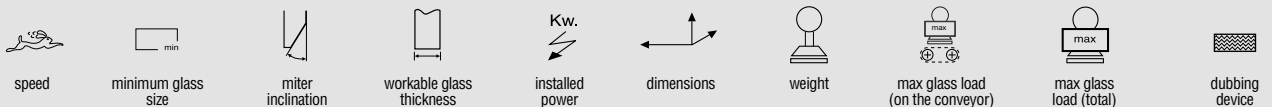
TLR 10 C	eu	0,3 - 5 m/min	H60 mm opt. H35 mm	3 - 35 mm opt. 3 - 50 mm	21	8.210x1.350 xH3.100 mm	3.100 Kg	1.000 Kg - 250 Kg/m	2.000 Kg
	us	12 - 197 "/min	H2.4 " opt. 1.4 "	1/8 - 1.4 " opt. 1/8 - 2 "		323.2x53.1 xH122 "	6,834 lbs	2,205 lbs - 14 lbs/"	4,409 lbs

TLR 10 C DD	eu	0,3 - 5 m/min*	H60 mm	3 - 50 mm**	22	8.510x1.350 xH3.100 mm	4.000 Kg	1.000 Kg - 250 Kg/m	2.000 Kg	
	us	12 - 197 "/min*	H2.4 "	1/8 - 2 "***		335x53.1 xH122 "	8,818 lbs	2,205 lbs - 14 lbs/"	4,409 lbs	
* max 2 m/min (max 79 "/min) (with dubbing device) ** max 15 mm (max 0.6 ") (with dubbing device)										

TLR 11	eu	0,3 - 5 m/min	H60 mm opt. H35 mm	3 - 35 mm opt. 3 - 50 mm	22	8.210x1.350 xH3.100 mm	3.100 Kg	1.000 Kg - 250 Kg/m	2.000 Kg
	us	12 - 197 "/min	H2.4 " opt. 1.4 "	1/8 - 1.4 " opt. 1/8 - 2 "		323.2x53.1 xH122 "	6,834 lbs	2,205 lbs - 14 lbs/"	4,409 lbs
3* OPTIONAL									

TLR 11 C	eu	0,3 - 5 m/min	H60 mm opt. H35 mm	3 - 35 mm opt. 3 - 50 mm	22	8.210x1.350 xH3.100 mm	3.100 Kg	1.000 Kg - 250 Kg/m	2.000 Kg
	us	12 - 197 "/min	H2.4 " opt. 1.4 "	1/8 - 1.4 " opt. 1/8 - 2 "		323.2x53.1 xH122 "	6,834 lbs	2,205 lbs - 14 lbs/"	4,409 lbs
3* OPTIONAL									

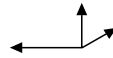
LEGEND



TLR SERIES

11 DD | 12 | 13 | 13 C | 14 C

Electronic straight-line edging machines for processing the **flat edge with arris**



TLR 11 DD	eu	0,3 - 5 m/min*	H60 mm	3 - 50 mm**	22	8.510x1.350 xH3.100 mm	4.000 Kg	1.000 Kg - 250 Kg/m	2.000 Kg						
	us	12 - 197 "/min*	H2.4 "	opt. 1/8 - 2 ***		335x53.1 xH122 "	8,818 lbs	2,205 lbs - 14 lbs/"	4,409 lbs						
	* max 2 m/min (max 79 "/min) (with dubbing device) ** max 15 mm (max 0.6 ") (with dubbing device)				12	11	10	9	8	7	6	5	4	3	2

TLR 12 C	eu	0,3 - 5 m/min	H60 mm opt. H35 mm	3 - 50 mm	23	8.510x1.350 xH3.100 mm	4.000 Kg	1.000 Kg - 250 Kg/m	2.000 Kg						
	us	12 - 197 "/min	H2.4 " opt. 1.4 "	1/8 - 2 "		335x53.1 xH122 "	8,818 lbs	2,205 lbs - 14 lbs/"	4,409 lbs						

OPTIONAL

TLR 13	eu	0,3 - 5 m/min	H60 mm opt. H35 mm	3 - 50 mm	28	8.510x1.350 xH3.100 mm	4.000 Kg	1.000 Kg - 250 Kg/m	2.000 Kg						
	us	12 - 197 "/min	H2.4 " opt. 1.4 "	1/8 - 2 "		335x53.1 xH122 "	8,818 lbs	2,205 lbs - 14 lbs/"	4,409 lbs						

TLR 13 C	eu	0,3 - 5 m/min	H60 mm opt. H35 mm	3 - 55 mm	28	9.590x1.350 xH3.700 mm	4.600 Kg	1.000 Kg - 250 Kg/m opt. 1.100 Kg - 300 Kg/m	2.000 Kg						
	us	12 - 197 "/min	H2.4 " opt. 1.4 "	1/8 - 2.2 "		377.5x53.1 xH145.6 "	10,141 lbs	2,205 lbs - 14 lbs/" opt. 2,425 lbs - 15.2 lbs/"	4,409 lbs						

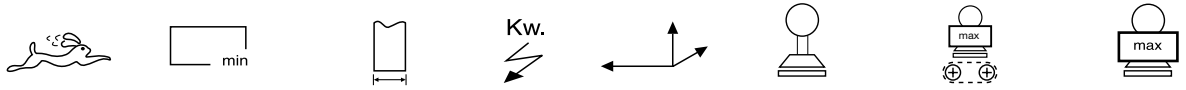
TLR 14 C	eu	0,3 - 5 m/min	H60 mm opt. H35 mm	3 - 55 mm	30	9.590x1.350 xH3.700 mm	4.800 Kg	1.000 Kg - 250 Kg/m opt. 1.100 Kg - 300 Kg/m	2.000 Kg						
	us	12 - 197 "/min	H2.4 " opt. 1.4 "	1/8 - 2.2 "		377.5x53.1 xH145.6 "	10,582 lbs	2,205 lbs - 14 lbs/" opt. 2,425 lbs - 15.2 lbs/"	4,409 lbs						



TLR T SERIES

8 TF

Peripheral straight-line edging machines for processing the **pencil edge, OG or flat edge with arris**

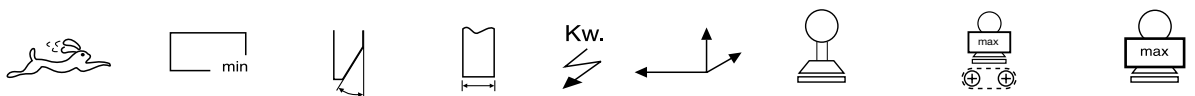


TLR 8 TF	eu	0,3 - 5 m/min	H60 mm opt. H35 mm	3 - 30 mm	20	8.210x1.350 xH3.100 mm	3.600 Kg	800 Kg - 200 Kg/m	1.600 Kg
	us	12 - 197 "/min	H2.4 " opt. 1.4 "	1/8 - 1.2 "		323.2x53.1 xH122 "	7,936 lbs	1,763 lbs - 11.2 lbs/"	3,527 lbs

TLR AV SERIES

10|11|11C

Electronic straight-line edging machine with **variable angle between 0 and 45°**

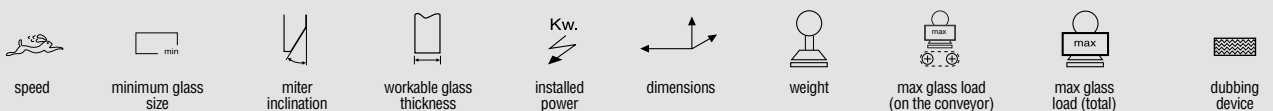


TLR 10 AV	eu	0,3 - 5 m/min	H85 mm opt. H60 mm	0 - 45° opt. 0 - 60°	3 - 35 mm opt. 3 - 50 mm	23	8.510x1.350 xH3.100 mm	4.000 Kg	1.000 Kg - 250 Kg/m	2.000 Kg
	us	12 - 197 "/min	H3.3 " opt. H2.4 "	1/8 - 1/4 " opt. 1/8 - 2 "	335x53.1 xH122 "		8,818 lbs	2,205 lbs - 14 lbs/"	4,409 lbs	

TLR 11 AV	eu	0,3 - 5 m/min	H85 mm opt. H60 mm	0 - 45° opt. 0 - 60°	3 - 50 mm	23	8.510x1.350 xH3.100 mm	4.200 Kg	1.000 Kg - 250 Kg/m	2.000 Kg
	us	12 - 197 "/min	H3.3 " opt. H2.4 "	1/8 - 2 "	335x53.1 xH122 "		9,259 lbs	2,205 lbs - 14 lbs/"	4,409 lbs	

TLR 11 AVC	eu	0,3 - 5 m/min	H85 mm opt. H60 mm	0 - 45° opt. 0 - 60°	3 - 50 mm	23	8.500x1.350 xH3.100 mm	4.200 Kg	1.000 Kg - 250 Kg/m	2.000 Kg
	us	12 - 197 "/min	H3.3 " opt. H2.4 "	1/8 - 2 "	335x53.1 xH122 "		9,259 lbs	2,205 lbs - 14 lbs/"	4,409 lbs	

LEGEND



TLR AV SERIES

11C DD | 13C | 14C | 16C

Electronic straight-line edging machine with **variable angle** between 0 and 45°



TLR 11 AVC DD	eu	0,3 - 5 m/min*	H85 mm	0 - 45°	3-55 mm**	25	8.500x1.350 xH3.100 mm	4.800 Kg	1.000 Kg - 250 Kg/m	2.000 Kg
	us	12 - 197 "/min*	H3.3 "		1/8 - 2.2 ***		335x53.1 xH122 "	10,582 lbs	2,205 lbs - 14 lbs/"	4,409 lbs
		* max 2 m/min (max 79 "/min) (with dubbing device) ** max 15 mm (max 0.6 ") (with dubbing device)								

TLR 13 AVC	eu	0,3 - 5 m/min	H85 mm opt. H60 mm	0 - 45°	3-55 mm	28	9.590x1.350 xH3.700 mm	4.800 Kg	1.000 Kg - 250 Kg/m opt. 1.100 Kg - 300 Kg/m	2.000 Kg
	us	12 - 197 "/min	H3.3 " opt. H2.4 "		1/8 - 2.2 "		377.6x53.1 xH145.6 "	10,582 lbs	2,205 lbs - 14 lbs/" opt. 2,425 lbs - 15.2 lbs/"	4,409 lbs

TLR 14 AVC	eu	0,3 - 5 m/min	H85 mm opt. H60 mm	0 - 45°	3 - 55 mm	30	10.020x1.750 xH3.700 mm	5.700 Kg	1.000 Kg - 250 Kg/m opt. 1.100 Kg - 300 Kg/m	2.000 Kg
	us	12 - 197 "/min	H3.3 " opt. H2.4 "		1/8 - 2.2 "		394.5x68.9 xH145.6 "	12,566 lbs	2,205 lbs - 14 lbs/" opt. 2,425 lbs - 15.2 lbs/"	4,409 lbs

TLR 16 AVC	eu	0,3 - 5 m/min	H85 mm opt. H60 mm	0 - 45°	3 - 55 mm	34	10.370x1.750 xH3.700 mm	6.800 Kg	1.000 Kg - 250 Kg/m opt. 1.100 Kg - 300 Kg/m	2.000 Kg
	us	12 - 197 "/min	H3.3 " opt. H2.4 "		1/8 - 2.2 "		408.3x68.9 xH145.6 "	14,991 lbs	2,205 lbs - 14 lbs/" opt. 2,425 lbs - 15.2 lbs/"	4,409 lbs



TLR SERIES

**THE EVOLUTION OF OUR FAMILY
OF TLR EDGING MACHINES.**

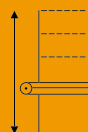
Thanks to some structural changes, mainly due to the application of new pads and reinforced guides, the models of this series are capable of carrying sheets weighing up to 1,500 Kg (on the conveyor) and processing sheets with thickness up to 100 mm.



3 - 55 / 60 / 80 / 100 mm
1/8 - 2.2 / 2.4 / 3.1 / 3.9 "



3.000 mm
118.1 "



3.700 mm
145.6 "



1.100 Kg - 300 Kg/m
2,425 lbs - 15.2 lbs/ "



2.200 Kg
4,850 lbs

STRAIGHT-LINE EDGING MACHINES TLS SERIES

ALL YOU NEED TO KNOW

How flexible and modular are they?

- Possibility to mount a resin wheel spindle
- Possibility to integrate the OT 300 washing machine model

Which are the processing control tools?

- Digital ammeters with an automatic system for detecting the wear of polishing wheels
- Removal adjustment on the inlet conveyor
- Managing all work steps through a touch screen operator panel
- Inlet conveyor independent drive means
- Glass detection IP67 ultrasonic sensor
- Inlet and outlet conveyor pneumatic clutch

Which components of the machine allow achieving high performance?

- Conveyor without bearing, consisting of pads made of special material, fixed on a double precision chain
- Mechanical system for adjusting the opening of the conveyor
- Variation of the conveyor speed by means of the inverter
- Automatic lubrication of all rotating parts
- PAR-AL: device for processing parallelograms

How can I achieve higher quality?

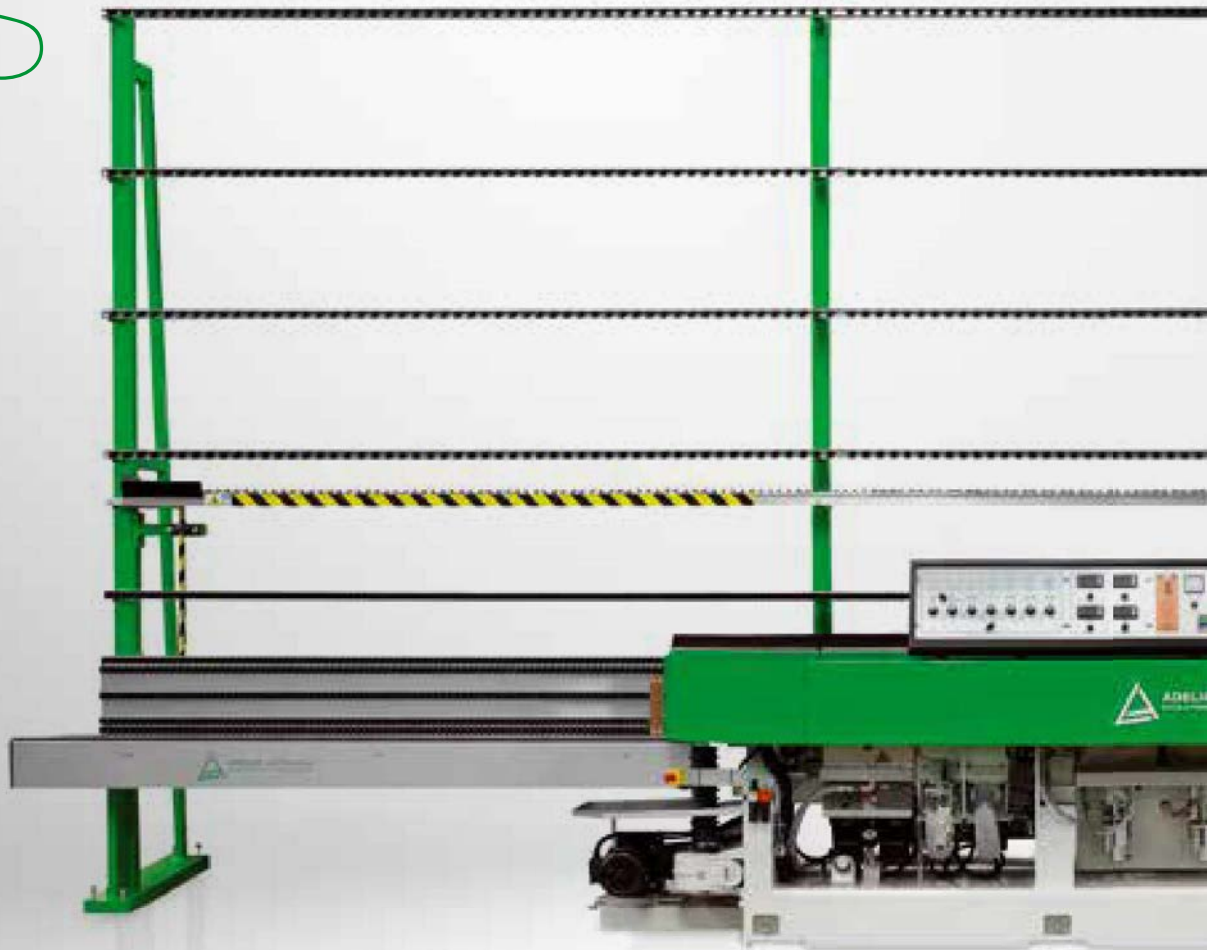
- Liquid cerium oxide for greater processing quality
- Lattuada spindles: a unique solution that guarantees low vibrations, robustness and limits maintenance for supreme quality
- Brushes for washing the conveyor



TLS

SERIES

THE FLEET





TLS AV SERIES 13 C | 15 C



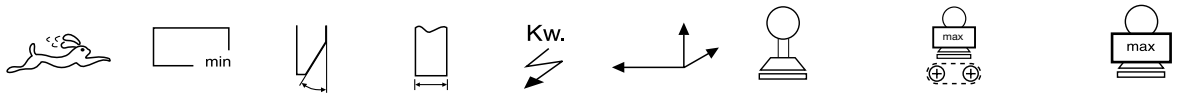
Electronic straight-line edging machine
with **variable angle between 0 and 45°**



TLS AV SERIES

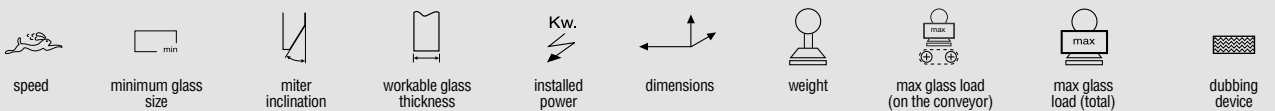
13 C|15 C

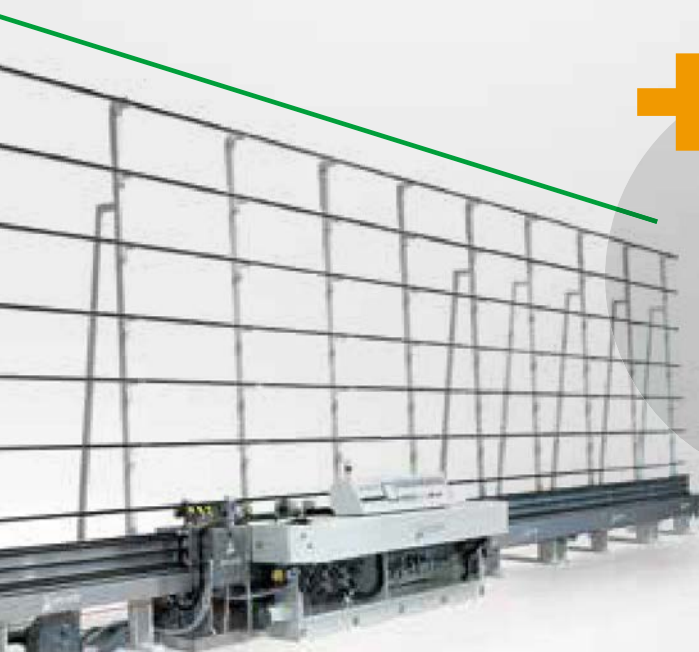
Electronic straight-line edging machine with **variable angle between 0 and 45°**



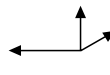
TLS 13 AV C	sp55/60	eu	0,3 - 5 m/min	H85 mm	0 - 45°	3 - 55/60 mm	28	9.590x1.350 xH3.750 mm	4.800 Kg	1.100 Kg - 300 Kg/m opt. 1.500 Kg - 350 Kg/m	2.200 Kg
		us	12 - 197 "/min	H3.3 "		1/8 - 2.2/2.4 "		377.6x53.1 xH147.6 "	10,582 lbs	2,425 lbs - 15. lbs/" opt. 3,307 lbs - 19.6 lbs/"	4,850 lbs

LEGEND





**THE BIGGEST
EDGING MACHINE
EVER BUILT!**



TLS 13 AVC	sp80/100	eu	0,3 - 5 m/min	H85 mm	0 - 45°	3 - 80/100 mm	28	10.020x1.750 xH3.700 mm	5.700 Kg	1.100 Kg - 300 Kg/m opt. 1.500 Kg - 350 Kg/m	2.200 Kg
		us	12 - 197 "/min	H3.3 "		1/8 - 3.1/3.9 "		394.5x68.9 xH145.6 "	12,566 lbs	2,425 lbs - 15. lbs/" opt. 3,307 lbs - 19.6 lbs/"	4,850 lbs

TLS 15 AVC	sp60/80/100	eu	0,3 - 5 m/min	H85 mm	0 - 45°	3 - 60/80/100 mm	32	10.370x1.750 xH3.700 mm	7.300 Kg	1.100 Kg - 300 Kg/m opt. 1.500 Kg - 350 Kg/m	2.200 Kg
		us	12 - 197 "/min	H3.3 "		1/8 - 2.4/3.1/3.9 "		408.3x68.9 xH145.6 "	16,093 lbs	2,425 lbs - 15.2 lbs/" 3,307 lbs - 19.6 lbs/"	4,850 lbs

- diamond peripheral wheel
- peripheral polishing wheel
- peripheral felt wheel
- diamond cup wheel
- resin cup wheel
- polishing cup wheel
- cerium impregnated cup wheel
- felt cup wheel
- polishing aris wheel
- diamond aris wheel
- diamond aris wheel



ACCESSORIES

STRAIGHT-LINE EDGING MACHINES

The washing machine applied to the edging machines and bevelling machines outlet conveyor allows the complete cleaning and drying of the processed edges of the glass sheets.



OT 300	eu	300x300 mm	the same of the machine on which it is fitted on	2 *	550x600 xH770 mm	95 Kg	2
	us	11.8x11.8 "			21.6x23.6 xH30.3 "	210 lbs	
*standard (it may change according to the included options)							

PAR-AL: device for processing parallelogram-shaped glasses.



LOOK AT THE DEVICE AT WORK





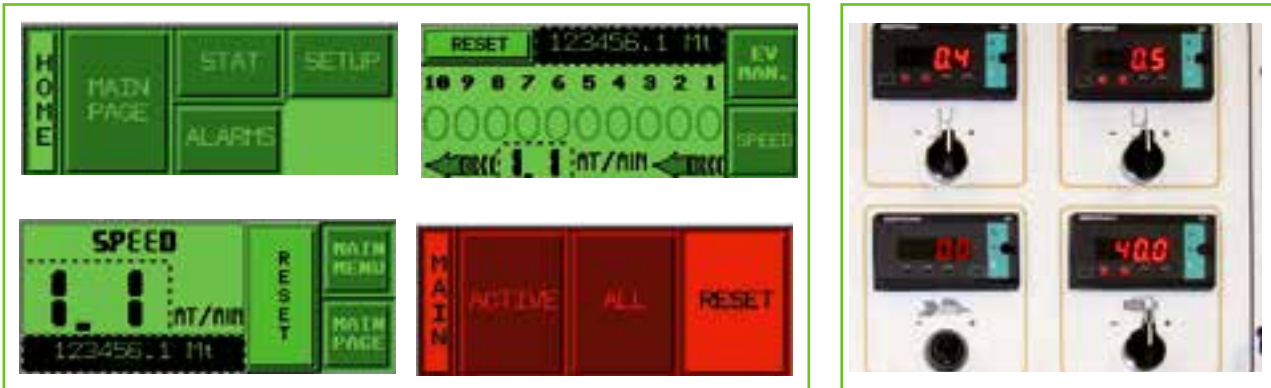
PANEL

TOUCH SCREEN OPERATOR

The only one in the market capable of guaranteeing constant monitoring of the various functions of the machine through different control methods.

BASIC 3.4 "

Machine's data and maintenance information panel



INTERMEDIATE 7.0 "

Information panel provided with additional functions with respect to the basic one



ADVANCED 10.4 "

Panel for the control and management of all work steps



DOUBLE EDGERS

TECHNICAL DETAILS

Series of double-edgers for processing the flat edge with arris, available in several different configurations, **both in the stand-alone and in line machine version.**

They come with an automatic glass squaring and centring system as well as a colour touch screen, designed and made so as to **facilitate and simplify the operator's task.**



- 1 Possibility of adding a **dubbing device** on each side.
- 2 **Washing and drying** (blower) the exiting sheets.
- 3 **Pressing, squaring** and **centring** system.
- 4 **Orientable control panels** at the inlet of the machine (stand-alone machine).
- 5 Brushless motors and reduction gears by **high-quality suppliers**.
- 6 **Wheel change** from outside the machine.
- 7 **Two-level** transfer.
- 8 Belts available in the version for **Low-E glasses too**.
- 9 **Anti-crush** safety elements.
- 10 Automatic intermediate bar **for large glasses**.
- 11 Internal of the panel.



4



5



6



3



9



10



11

BETA T SERIES

**SUPER HIGH PRECISION IN ORDER TO
GUARANTEE PROCESSING QUALITY AND
ACCURACY, AS WELL AS DIMENSIONAL
TOLERANCES ON THE CORNERS.**

The main strong points of our double-edgers lie in the modern technology applied, high-quality electronic control, sensor devices and automation components. This translates into an adjustment and positioning simplicity and speed making them particularly recommended for small production batches.



3 - 20/25 mm
1/8 - 3/4 / 1 "



190 mm
7.4 " (others upon request)



4.200 mm
165 " (others upon request)



0,5 - 6 m/min
20 - 236 "/min

DOUBLE-EDGERS BETA SERIES

ALL YOU NEED TO KNOW

How flexible and modular are they?

- Belts available in the version for Low-E glasses too
- Possibility of adding a dubbing device on each side
- Automatic intermediate bar for large glasses

Which are the processing control tools?

- Orientable control panels at the inlet of the machine
- eWON remote assistance: quick, simple and reliable
- Glass loading management control system
- Control pulpit with touch screen panel
- Wheel change from outside the machine

Which components of the machine allow achieving high performance?

- No need of power zero at the start: machine operative all the time and right away
- Lattuada spindles: a unique solution that guarantees low vibrations, robustness and limits maintenance for supreme quality
- Two-level transfer

How can I achieve higher quality?

- Pressing, squaring and centring system
- Washing and drying (blower) the exiting sheets
- High precision positioning



BETA

SERIES

THE FLEET



BETA SERIES

8|10|11



Double-edgers
for processing the flat edge with arris



BETA SERIES





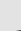
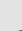



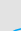
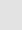
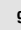
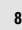
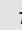
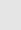
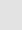
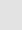
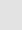
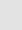
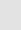
8 | 10 | 11

Double-edgers
for processing the flat edge with arris

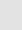


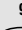
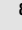
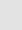
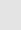
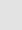
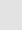
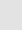
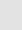
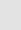
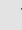





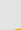
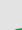
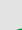
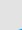
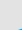
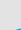
STAND-ALONE AND IN LINE MACHINES

WITH DIFFERENT CONFIGURATIONS


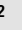


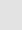
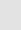
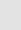
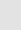
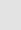
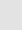
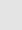
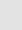
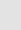


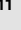
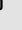
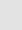
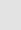
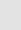
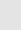
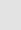
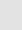
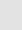
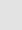
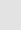


BETA 8	eu	0,5 - 6 m/min opt. 0,5 - 8 m/min	190 mm others upon request	4.200 mm others upon request	3 - 20 mm	37	5.440x4.520 xH1.900 mm*	6.500 Kg*	600 Kg others upon request	960 mm
	us	20 - 236 "/min opt. 20 - 315 "/min	H7.4 " others upon request	165 " others upon request	1/8 - 2 "		214,2x178 xH74.8 **	14,330 lbs*	1,322.8 lbs others upon request	37.8 "
	  OPTIONAL	       								
  OPTIONAL	       									

* for 3.000 mm (118 ") opening

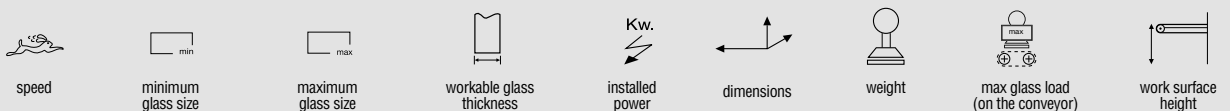
BETA 10	eu	0,5 - 6 m/min opt. 0,5 - 8 m/min	190 mm others upon request	4.200 mm others upon request	3 - 25 mm	45	5.820x4.520 xH1.900 mm*	7.000 Kg*	600 Kg others upon request	960 mm
	us	20 - 236 "/min opt. 20 - 315 "/min	H7.4 " others upon request	165 " others upon request	1/8 - 1 "		229,1x178 xH74.8 **	15,432 lbs*	1,322.8 lbs others upon request	37.8 "
	  OPTIONAL	         								
  OPTIONAL	         									

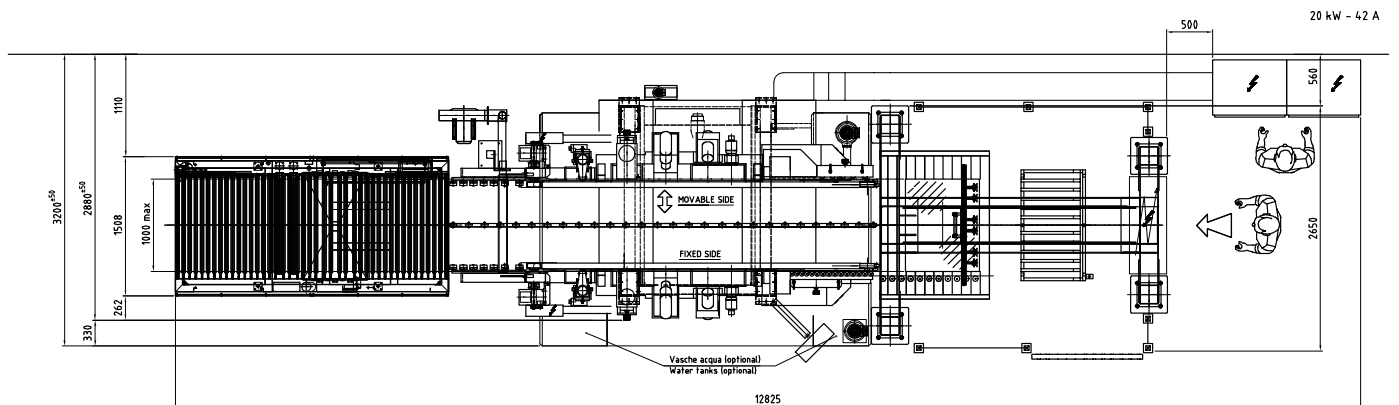
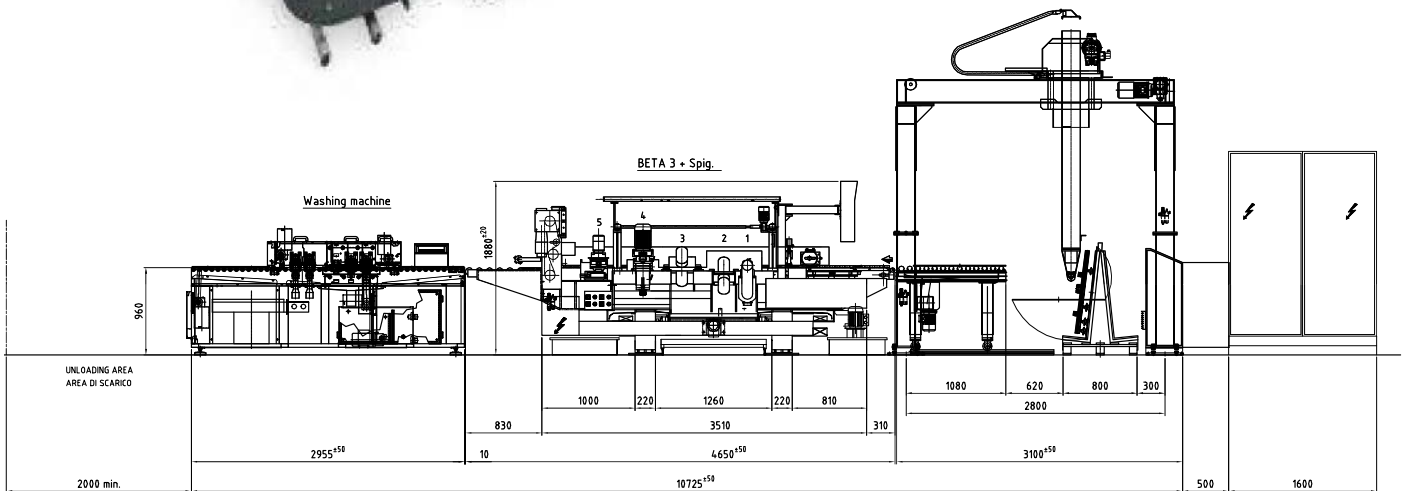
* for 3.000 mm (118 ") opening





BETA 11	eu	0,5 - 6 m/min opt. 0,5 - 8 m/min	190 mm others upon request	4.200 mm others upon request	3 - 25 mm	49	6.010x4.520 xH1.900 mm*	7.300 Kg*	600 Kg others upon request	960 mm
	us	20 - 236 "/min opt. 20 - 315 "/min	H7.4 " others upon request	165 " others upon request	1/8 - 1 "		236,6x178 xH74.8 **	16,093 lbs*	1,322.8 lbs others upon request	37.8 "
	  OPTIONAL	          								
  OPTIONAL	          									

* for 3.000 mm (118 ") opening

LEGEND



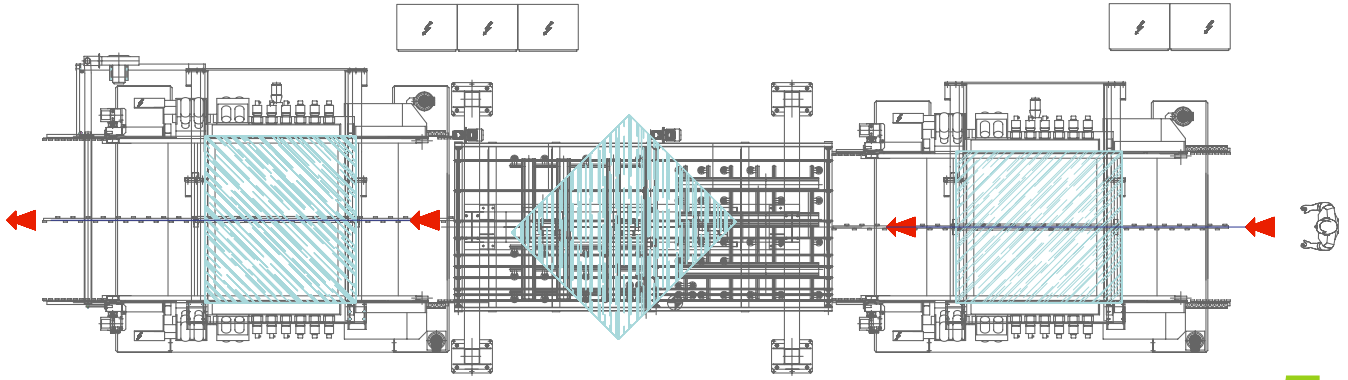


- 
 dubbing device
- 
 diamond cup wheel
- 
 polishing cup wheel
- 
 cerium impregnated cup wheel
- 
 polishing aris wheel
- 
 diamond aris wheel

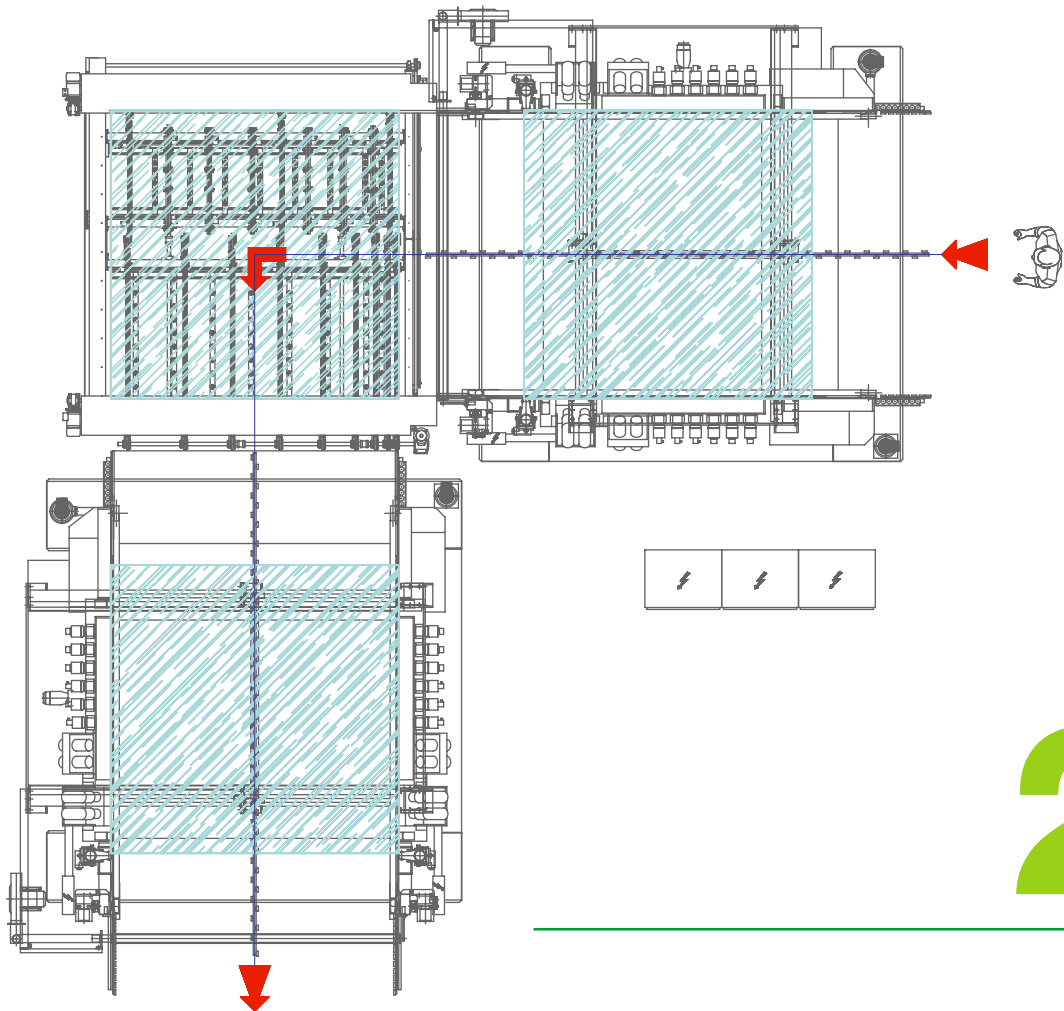


CONFIGURATIONS

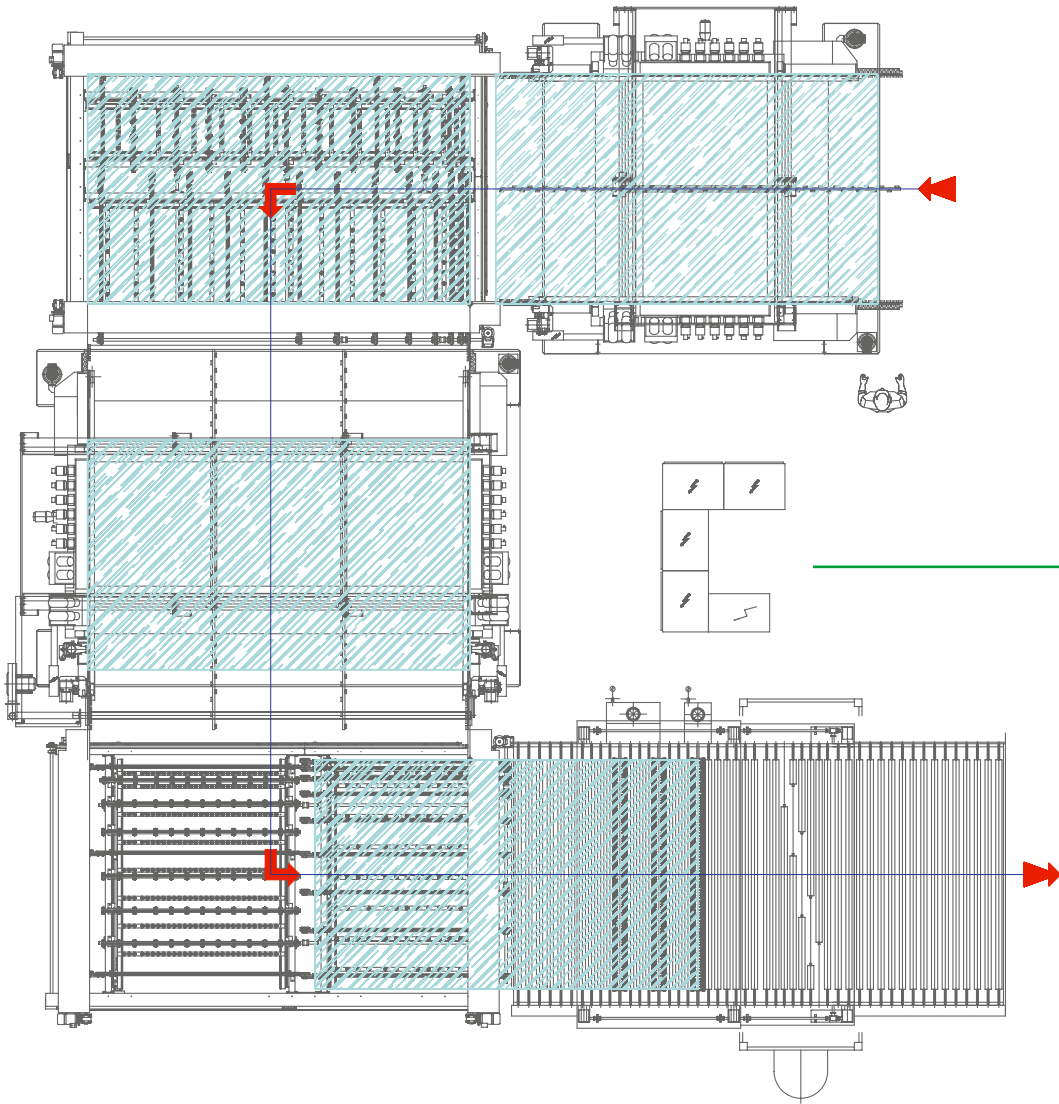
DOUBLE-EDGERS LINES



1



2



3



TYPES OF AVAILABLE TRANSFERS

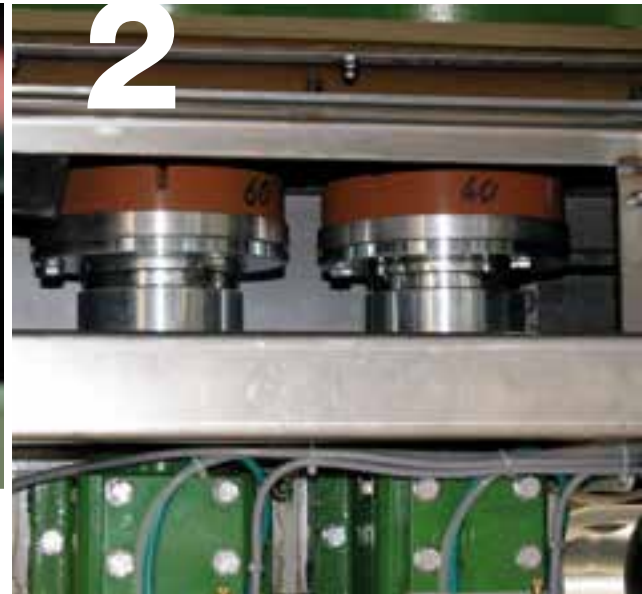
- with rollers and belts
- with two levels
- piece-turning device with suction cups
- combined and customised solutions

STRAIGHT-LINE BEVELLING MACHINES

TECHNICAL DETAILS

Bevelling has always considered the most complex edging operation.

This is why Lattuada manufactures very precise and accurate bevelling machines, renowned for their reliability, low maintenance and duration over time.



- 1 **Numerous wheel configurations** available, even customised.
- 2 **Quick and simple** wheel change.
- 3 Managing all work steps through a **touch screen operator panel**
- 4 **Ease of adjustment** when moving from one processing type to the next.
- 5 **Small piece processing** system.
- 6 OT 300 **washing machine**.
- 7 Motor absorption **digital ammeters**.
- 8 Pads washing **rotary brush**.
- 9 **Automatic** lubrication.
- 10 Variation of the conveyor speed by **means of the inverter**.
- 11 The Gamma 614 model features 4 felts: **high processing speed and quality!**



GAMMA SERIES

THE WIDEST RANGE CURRENTLY AVAILABLE IN THE MARKET, IT OFFERS TECHNICAL SOLUTIONS CAPABLE OF MEETING ANY PRODUCTION NEED

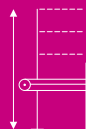
From GAMMA 7, for medium/small productions, also including GAMMA 8, which combines the versatility of a small machine with the capacity of processing on sizeable productions, even thanks to the three felts it is provided with, we go all the way to the “elder sisters”: recommended for glassmakers in need of machines capable of operating at high speeds and with utmost quality level.



3 - 20 / 25 mm
1/8 - 3/4 / 1 "



2.000 / 2.600 mm
78.7 / 102.3 "



2.450 / 3.100 mm
96.5 / 122 "



500 Kg - 150 Kg/m
1,102 lbs - 8.4 lbs/ "



mechanical

STRAIGHT-LINE BEVELLING MACHINES GAMMA SERIES **ALL YOU NEED TO KNOW**

How flexible and modular are they?

- Numerous wheel configurations available, even customised
- Possibility to integrate the OT 300 washing machine model
- Quick and simple wheel change
- Small piece processing system

Which are the processing control tools?

- Managing all work steps through a touch screen operator panel
- Variation of the conveyor speed by means of the inverter

Which components of the machine allow achieving high performance?

- Mechanical system for adjusting the opening of the conveyor
- Ease of adjustment when moving from one processing step to the next
- Pads washing rotary brush

How can I achieve higher quality?

- Liquid cerium oxide for greater processing quality
- Automatic lubrication
- Digital ammeters for a precise reading of the wheel absorption
- 4 felts: high processing speed and quality



GAMMA SERIES

THE FLEET



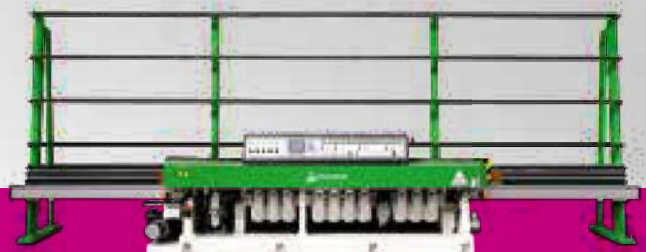
GAMMA SERIES

7|8|613|614|713

633|643|723|743



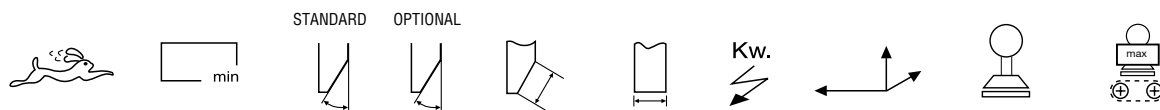
Straight-line beveling machines
for processing **the bevel** and **flat edge with arris**,
using **liquid cerium oxide**



GAMMA SERIES

7 | 8 | 613 | 614 | 713

Straight-line bevelling machines for processing the **polished bevel using liquid cerium oxide**



GAMMA 7	eu	0,5 - 4 m/min	110x110 mm opt. 40x40 mm	3 - 45°	3 - 25°	40 mm	3 - 20 mm	16	6.390x1.200 xH2.450 mm	2.800 Kg	500 Kg - 150 Kg/m				
	us	20 - 157 "/min	4.3x4.3 " opt. 1.6x1.6 "			1.6 "	1/8 - 3/4 "		251.6x47.2 xH96.5 "	6,172 lbs	1,102 lbs - 8.4 lbs/m				
			5* OPTIONAL						7	6	5*	4	3	2	1

GAMMA 8	eu	0,5 - 4 m/min	110x110 mm opt. 40x40 mm	3 - 45°	3 - 25°	40 mm	3 - 20 mm	18	6.390x1.200 xH2.450 mm	2.900 Kg	500 Kg - 150 Kg/m					
	us	20 - 157 "/min	4.3x4.3 " opt. 1.6x1.6 "			1.6 "	1/8 - 3/4 "		251.6x47.2 xH96.5 "	6,393 lbs	1,102 lbs - 8.4 lbs/m					
			5* OPTIONAL						8	7	6	5*	4	3	2	1

GAMMA 613	eu	0,3 - 5 m/min	110x110 mm opt. 40x40 mm	3 - 45°	3 - 25°	50 mm	3 - 25 mm	23	8.400x1.350 xH3.100 mm	3.900 Kg	500 Kg - 150 Kg/m							
	us	12 - 197 "/min	4.3x4.3 " opt. 1.6x1.6 "			2 "	1/8 - 1 "		330.7x53.1 xH123.2 "	8,598 lbs	1,102 lbs - 8.4 lbs/m							
			7* OPTIONAL						10	9	8	7*	6	5	4	3	2	1

GAMMA 614	eu	0,3 - 5 m/min	110x110 mm opt. 40x40 mm	3 - 45°	3 - 25°	50 mm	3 - 25 mm	26	8.400x1.350 xH3.100 mm	4.000 Kg	500 Kg - 150 Kg/m								
	us	12 - 197 "/min	4.3x4.3 " opt. 1.6x1.6 "			2 "	1/8 - 1 "		330.7x53.1 xH123.2 "	8,818 lbs	1,102 lbs - 8.4 lbs/m								
			4* OPTIONAL						11	10	9	8	7	6	5	4*	3	2	1

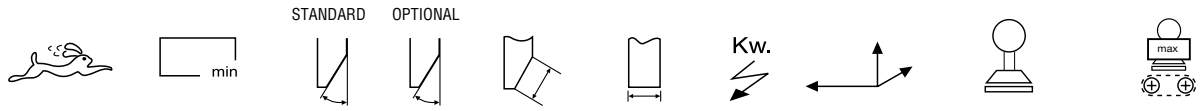
GAMMA 713	eu	0,3 - 5 m/min	110x110 mm opt. 40x40 mm	3 - 45°	3 - 25°	50 mm	3 - 25 mm	26	8.400x1.350 xH3.100 mm	4.000 Kg	500 Kg - 150 Kg/m								
	us	12 - 197 "/min	4.3x4.3 " opt. 1.6x1.6 "			2 "	1/8 - 1 "		330.7x53.1 xH123.2 "	8,818 lbs	1,102 lbs - 8.4 lbs/m								
			4* OPTIONAL						11	10	9	8	7	6	5	4*	3	2	1



GAMMA SERIES

633

Straight-line bevelling machines for processing **the bevel and pencil edge, using liquid cerium oxide**

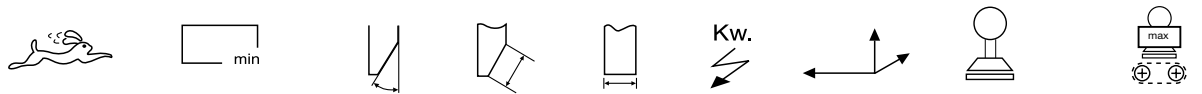


GAMMA 633	eu	0,3 - 5 m/min	110x110 mm opt. 40x40 mm	3 - 45°	3 - 25°	50 mm	3 - 25 mm	27	8.860x1.350 xH3.100 mm	4.800 Kg	500 Kg - 150 Kg/m
	us	12 - 197 "/min	4.3x4.3 " opt. 1.6x1.6 "			2 "	1/8 - 1 "		348.8x53.1 xH123.2 "	10,582 lbs	1,102 lbs - 8.4 lbs/"

GAMMA SERIES

643 | 723 | 743

Straight-line bevelling machines for processing **the bevel and flat edge with arris, using liquid cerium oxide**



GAMMA 643	eu	0,3 - 5 m/min	110x110 mm opt. 40x40 mm	3 - 45°	50 mm	3 - 25 mm	32	8.860x1.350 xH3.100 mm	4.900 Kg	500 Kg - 150 Kg/m	
	us	12 - 197 "/min	4.3x4.3 " opt. 1.6x1.6 "		2 "	1/8 - 1 "		348.8x53.1 xH123.2 "	10,802 lbs	1,102 lbs - 8.4 lbs/"	

GAMMA 723	eu	0,3 - 5 m/min	110x110 mm opt. 40x40 mm	3 - 45°	50 mm	3 - 25 mm	32	8.860x1.350 xH3.100 mm	4.900 Kg	500 Kg - 150 Kg/m	
	us	12 - 197 "/min	4.3x4.3 " opt. 1.6x1.6 "		2 "	1/8 - 1 "		348.8x53.1 xH123.2 "	10,802 lbs	1,102 lbs - 8.4 lbs/"	

GAMMA 743	eu	0,3 - 5 m/min	110x110 mm opt. 40x40 mm	3 - 45°	50 mm	3 - 25 mm	32	9.240x1.350 xH3.100 mm	5.300 Kg	500 Kg - 150 Kg/m	
	us	12 - 197 "/min	4.3x4.3 " opt. 1.6x1.6 "		2 "	1/8 - 1 "		363.7x53.1 xH123.2 "	11,684 lbs	1,102 lbs - 8.4 lbs/"	





ACCESSORIES

STRAIGHT-LINE BEVELLING MACHINES



The washing machine applied to the edging machines and beveling machines outlet conveyor allows the complete cleaning and drying of the processed edges of the glass sheets.



OT 300	eu	300x300 mm	the same of the machine on which it is fitted on	2 *	550x600 xH770 mm	95 Kg	2
	us	11.8x11.8 "			21.6x23.6 xH30.3 *	210 lbs	

*standard (it may change according to the included options)



PANEL

TOUCH SCREEN OPERATOR

The only one in the market capable of guaranteeing constant monitoring of the various functions of the machine through different control methods

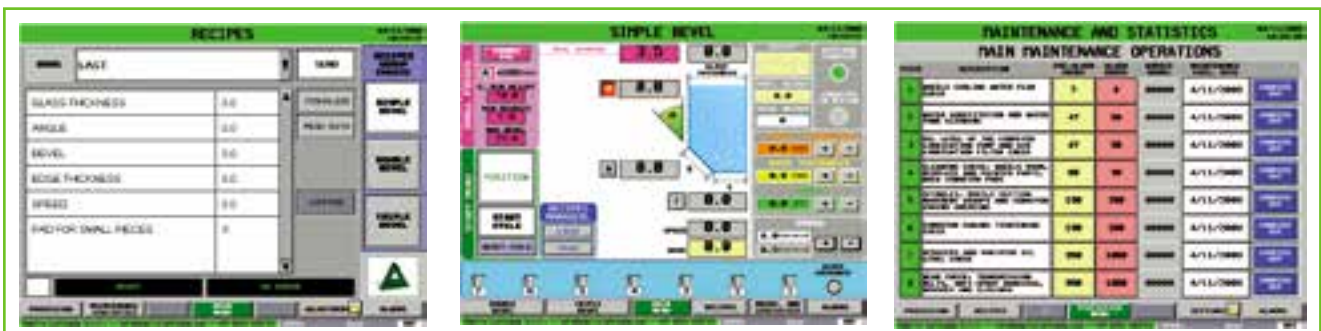
BASIC 3.4 "

Machine's data and maintenance information panel



ADVANCED 10.4 "

Panel for the control and management of all work steps



Adelio Lattuada Srl assumes no responsibility for any mistakes in the contents.
All data are subject to change without notice.
Images can be only representative of the products' typology.



ADELIO LATTUADA®
EVOLUTION OF GLASS WORKING
Since 1978

ADELIO LATTUADA S.R.L.
Via Abbondanza, 11/13 - 22070 Carbonate (CO) IT
Tel. +39 0331.832713 - info@adeliolattuada.com
adeliolattuada.com

LATTUADA NORTH AMERICA, INC.
6967 Wales Road, Suite F - Northwood 43619 (OH)
T. 567 249 4486 - info@lattuada-na.com
lattuada-na.com